

QUICK SPECS

Weight	11,850 lbs
Horsepower	47.6 hp
Digging Depth	12'9.5"

Power, flexibility and stability in a nice compact package.

For more than 100 years, Yanmar has crafted some of the world's most powerful, fuel-efficient engines. The 47.6-hp turbocharged Tier 4 Final diesel engine in the new ViO55-6A is no exception. Yanmar has also pioneered some of the industry's most innovative technology, including the first zero tail swing excavator. Today the ViO55-6A is one of the most rugged, flexible machines you can have to work effectively in the extremely tight spaces other bulkier excavators simply can't reach. Add the balance and stability of a conventional excavator and you've got one of the best values around.

INNOVATIVE FEATURES



True Zero Tail Swing

Yanmar introduced the world's first zero tail swing excavator in 1993. Today, our true zero tail swing technology means no part of the housing extends beyond the tracks. Since the entire machine operates within its tracks, you can work efficiently almost anywhere, with less damage to the machine and the worksite.



Hydraulic Quick Coupler Comes Standard

The standard hydraulic quick coupler makes changing buckets fast and easy. With the exception of fitting and removing the safety lock pin, the entire operation is performed electronically while you're seated in the comfort of the cab. Less hassle. Less downtime. More productivity.



A Cab With Everything At Your Fingertips

The new ViO55-6A comes standard with ECO Mode, Auto-Decel Mode and backfill blade lever-controlled, 2-speed operation incorporated right into the operator's station. Plus you get an innovative LCD monitor, showing key operating information and maintenance notification intervals.



ViO55-6A

POWERFUL, EFFICIENT, TURBOCHARGED 47.6-HP TIER 4 FINAL YANMAR DIESEL ENGINE

VIPPS (VIO PROGRESSIVE 3-PUMP HYDRAULIC SYSTEM)

EASY-TO-OPERATE JOYSTICK CONTROLS WITH ARMRESTS REDUCE OPERATOR FATIGUE

SPRING STEEL CYLINDER ROD GUARDS AND HOSE PROTECTION

4-PILLAR ROPS/FOPS CANOPY FOR SAFETY

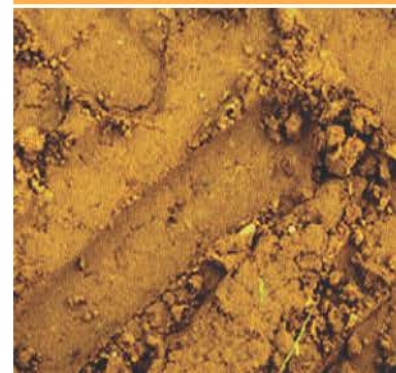
INTEGRATED BOOM LIGHT PROTECTED FROM DAMAGE

EASY MAINTENANCE ACCESS TO EVERY MAJOR COMPONENT

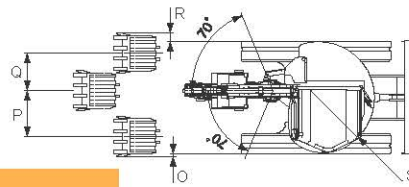
ANGLED CRAWLER FRAME REDUCES FOREIGN MATTER BUILD-UP

TRAVELING ALARM SIGNALS WHEN MACHINE IS MOVED

OPTIONAL ENCLOSED CAB WITH HEAT & A/C

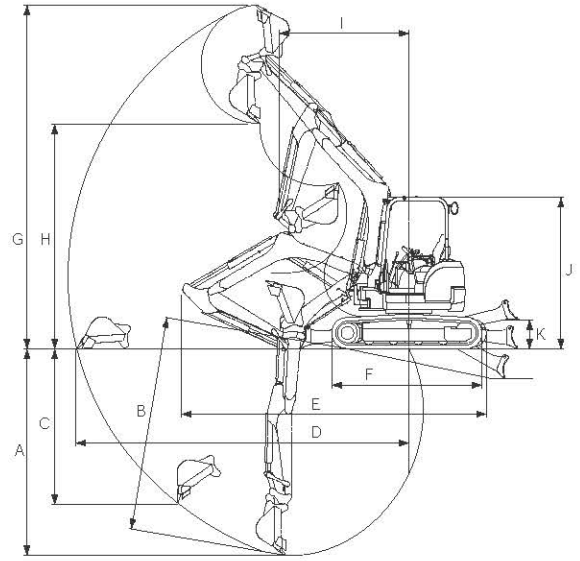
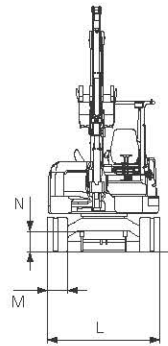


Vi055-6A



Dimensions - Vi055-6A

A 12'9.5" (3900 mm)	K 1'8" (500 mm)
B 13'6" (4120 mm)	L 6'6" (1990 mm)
C 8'5" (2560 mm)	M 1'4" (400 mm)
D 20'2" (6140 mm)	N 1'2" (345 mm)
E 18'4" (5580 mm)	O 1.4" (35 mm)
F 8'6" (2590 mm)	P 2'3" (680 mm)
G 19'10" (6060 mm)	Q 2'6" (770 mm)
H 13'3" (4050 mm)	R 5" (125 mm)
I 7'9" (2370 mm)	S R3'3" (R995 mm)
J 8'4" (2540 mm)	



Specifications

Model		Vi055-6A	
Type		Canopy	Cabin
Operating Weight	Rubber Track	lbs (kg)	11850 (5375)
	Steel Track	lbs (kg)	11916 (5405)
Engine	Type	Water-cooled 4-cycle diesel	
	Model	YANMAR 4TNV88CT-PBV	
	Output	HP (kW)/rpm	47.6 (35.5) / 2400
Performance	Max Digging Force, Bucket / Arm	lbs (kN)	7464 (33.2) / 5058 (225)
	Traveling Speed, High / Low	MPH (km / h)	2.6 / 1.4 (4.2 / 2.2)
	Swing Speed	RPM	10
	Boom Swing Angle, (L / R)	degrees	68° / 68°
Ground Contact Pressure	Rubber Track	PSI (kPa)	4.24 (29.2)
	Steel Track	PSI (kPa)	4.31 (29.7)
Hydraulic System	Pump Capacity	GPM (L / min)	12 + 12 + 9.7 + 2.8 (42.5 + 42.5 + 37 + 10.8)
	Main Relief Set Pressure	PSI (MPa)	3547 x 3 + 564 (24.5 x 3 + 3.9)
Undercarriage	Track Type	Rubber or Steel	
Blade Dimensions	Width x Height	ft-in (mm)	6'6" x 14" (1970 x 400)
Fuel tank capacity		Gals (L)	17.4 (66)

Standard Equipment

- Blade
- Boom Swing
- Rubber or Steel Tracks
- Hydraulic Quick Coupler
- 2-way Control Pattern Change
- Auxiliary Valve and Piping (arm end)
- Cylinder Cover (boom, arm, bucket, blade)
- ROPS / FOPS Cabin or Canopy
- Windshield Washer (cabin spec)
- Defroster (cabin spec)
- Joystick Pilot Controls
- Arm Rests (adjustable)
- Suspension and Reclining Seat
- Seat Belt
- Traveling Levers and Pedals
- Traveling Alarm Built-in Type
- Boom Light
- Exterior Canopy or Cabin Work Light
- Operation Manual

Please note that the standard equipment may vary from this list. Consult your Yanmar dealer for confirmation.

Hydraulic PTO

Model	Vi055-6A		
	Output	PSI (MPa)	GPM (L / min)
			2200RPM
Combined Flow, Double Actions	3553 (24.5)	21.8 (82.8)	12 (45.8)

Lifting Capacity

LIFT POINT HEIGHT in (mm)	(R) LIFT RADIUS in (mm)											
	RATED LIFT CAPACITY OVER END BLADE DOWN lbs (kg)				RATED LIFT CAPACITY OVER END BLADE UP lbs (kg)				RATED LIFT CAPACITY OVER SIDE BLADE DOWN lbs (kg)			
	MAX	157.5 (4000)	118.1 (3000)	78.7 (2000)	MAX	157.5 (4000)	118.1 (3000)	78.7 (2000)	MAX	157.5 (4000)	118.1 (3000)	78.7 (2000)
157.5 (4000)	*2513 (1140)	*2425 (1100)			*2425 (1100)	*2358 (1070)			1895 (860)	*2403 (1090)		
118.1 (3000)	*2513 (1140)	*2579 (1170)			1543 (700)	*2491 (1130)			1521 (690)	*2469 (1120)		
78.7 (2000)	*2557 (1160)	*2976 (1350)	*3924 (1760)		1455 (660)	2204 (1000)	*3791 (1720)		1300 (590)	1962 (890)	*3615 (1640)	
39.4 (1000)	*2645 (1200)	*3439 (1560)	*5004 (2270)		1388 (630)	2094 (950)	3190 (1420)		1234 (560)	1873 (850)	2755 (1250)	
Ground (0)	*2711 (1230)	*3681 (1670)	*5335 (2420)	*6966 (3160)	1477 (670)	1962 (890)	2975 (1350)	4761 (2160)	1300 (590)	1741 (790)	2579 (1170)	4166 (1890)
-39.4 (-1000)	*2777 (1260)	*3527 (1600)	*5092 (2310)	*7187 (3260)	1609 (730)	1940 (880)	2910 (1320)	4816 (2230)	1455 (660)	1785 (810)	2601 (1180)	4475 (2030)
-78.7 (-2000)	*2623 (1190)		*3902 (1770)		2204 (1000)		2932 (1330)		2072 (940)		2623 (1190)	

* Rated Hydraulic lift capacity